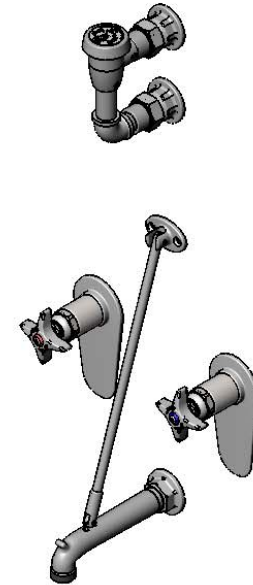
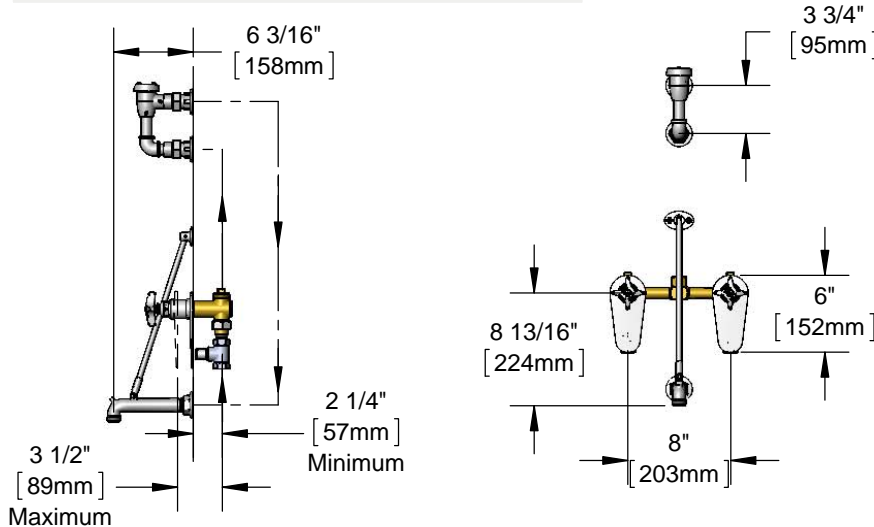




#### Architect/Engineering Specifications:

8" concealed bypass mixing valve with polished chrome plated brass adjustable wall flanges and sleeves, polished chrome plated brass spout with pail hook and garden hose male outlet, compression cartridges, 4-arm handles, 1/2" NPT atmospheric vacuum breaker, upper support rod and 1/2" NPT female inlets. Certified to ASME A112.18.1/CSA B125.1, NSF 61-Section 9, NSF 372 and ASSE 1001. Meets ADA ANSI/ICC A117.1 requirements.

Job Name \_\_\_\_\_  
 Model Specified \_\_\_\_\_ Quantity \_\_\_\_\_  
 Variations Specified \_\_\_\_\_  
 Date \_\_\_\_\_



#### Features & Benefits:

- 8" concealed mixing faucet w/ brass body & 1/2" NPT female union inlet connections
- 6" tall polished chrome plated brass adjustable wall flanges and sleeves
- Polished chrome plated spout assembly w/ Ø2" wall flange, pail hook & garden hose male outlet
- Eterna compression cartridges
- 4-arm handles w/ color coded indexes
- 1/2" NPT female loose key straight stop inlets with tee handles
- Elevated 1/2" NPT atmospheric vacuum breaker assembly
- Upper wall support rod
- Material: Brass bodies with polished chrome plated adjustable flanges, support rod and chrome plated metal handles

#### Product Compliance:

- ASME A112.18.1 / CSA B125.1
- NSF 61 - Section 9
- NSF 372 (Low Lead Content)
- ANSI A117.1 (ADA)
- ASSE 1001 (VB)

Warranty: One Year (Limited)



ADA Compliant



#### Optional Handles & Optional Cartridges

##### Optional Handles

- 4" Wrist Action
- Lever
- 4-Arm (Standard)

##### Optional Cartridges

- Quarter Turn Cerama
- Eterna (Standard)
- Quarter turn Eterna
- Metering

